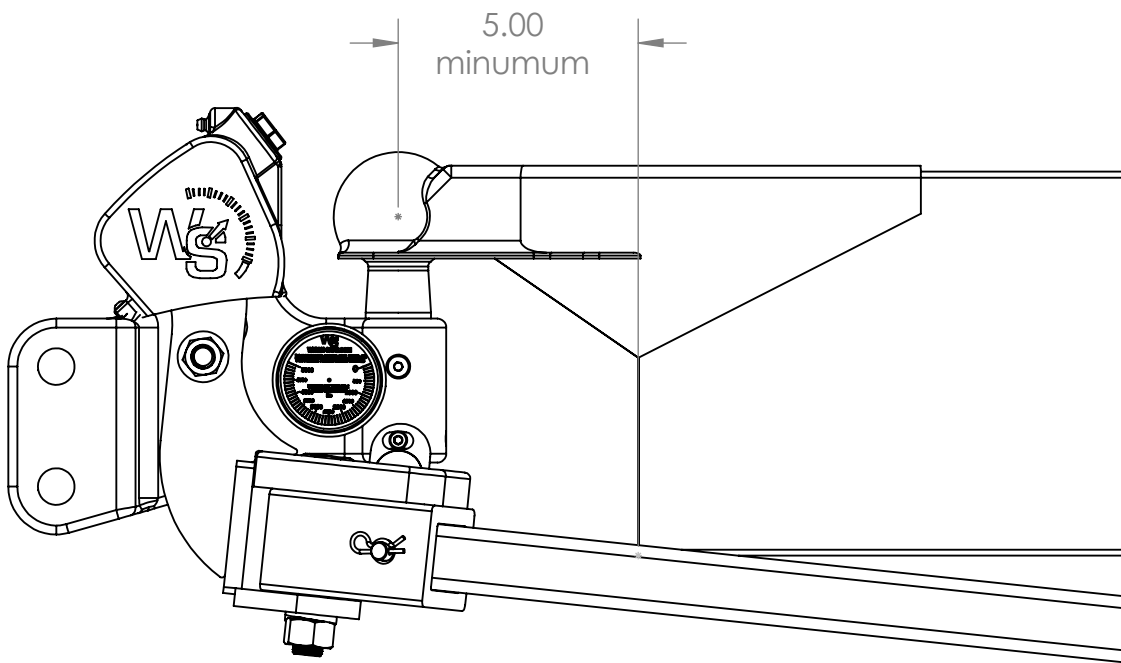


Minimum Spacing Requirement

Either:

- 5" minimum from the center of the tow ball to the front edge of the trailer frame
- 6" maximum from the top of the coupler to the bottom edge of the trailer frame



- OR -

