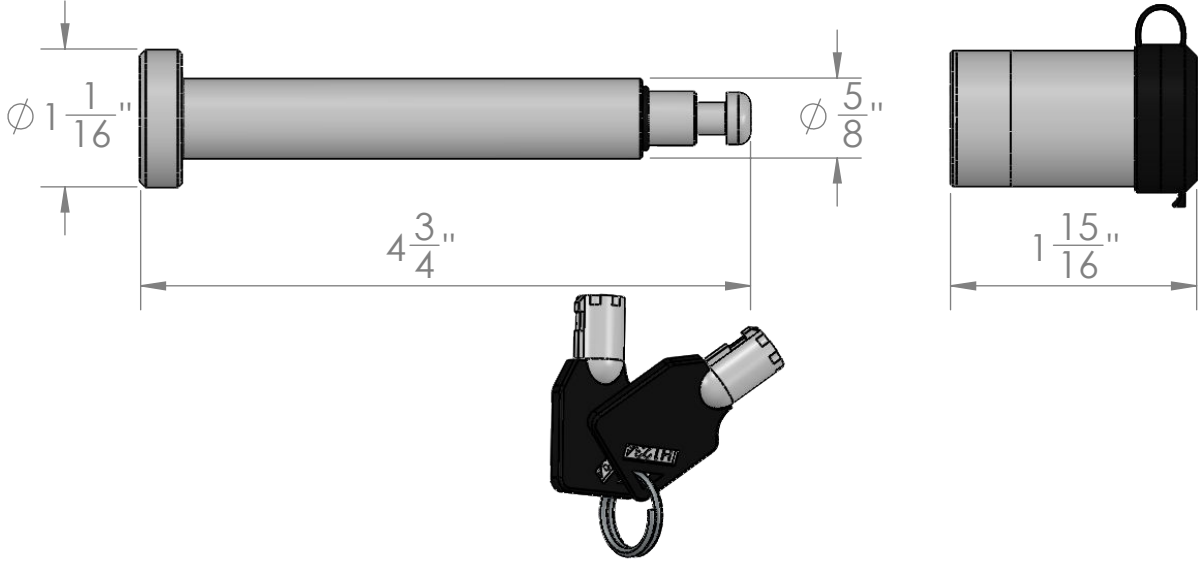


Weigh Safe, LLC Hitch Locking Pin (WS05)

NOTE: All dimensions given in inches

COMPONENTS



LOCKED POSITION

